


RU

GB

INSTALLATION MANUAL
SKID PLATE FOR FUEL TANK



CHANGAN CS35 Plus (3D) 1,6 AT FWD

2019- 

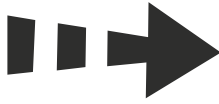
28.4433V2

09/10/20

1/6



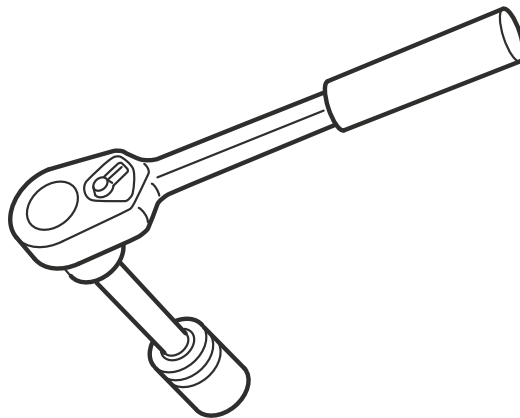
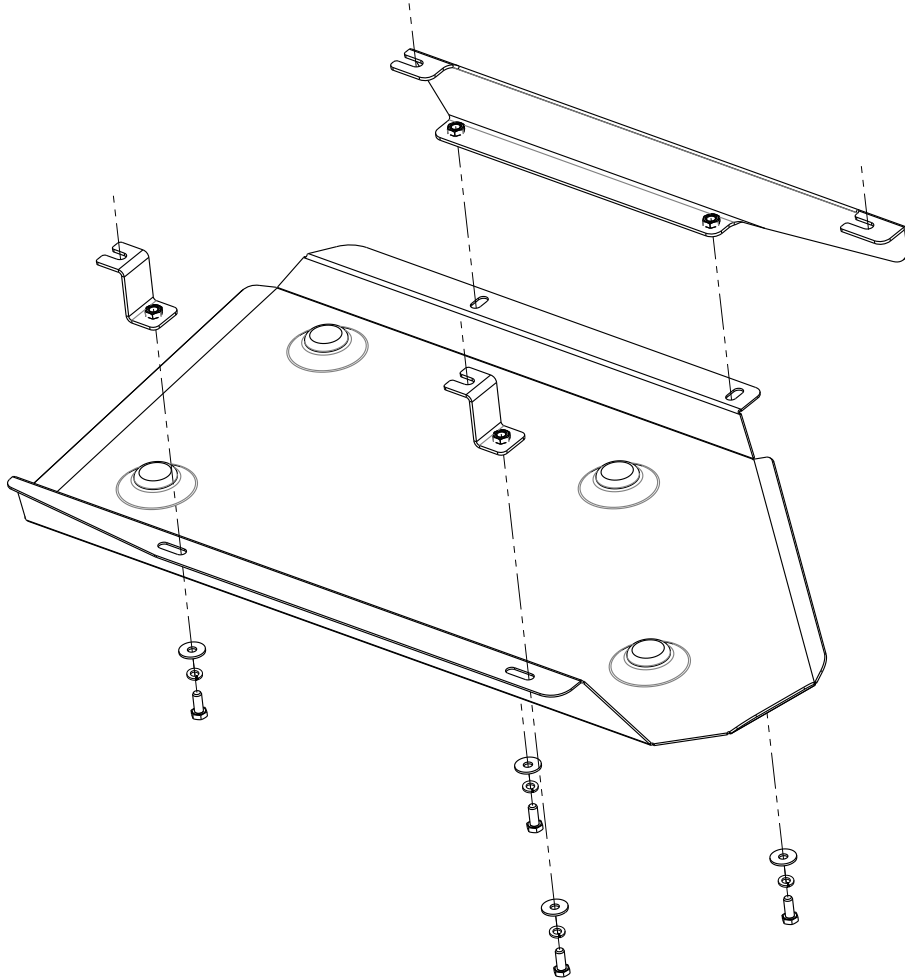
(RU) /
(GB) Location/Position Arrow

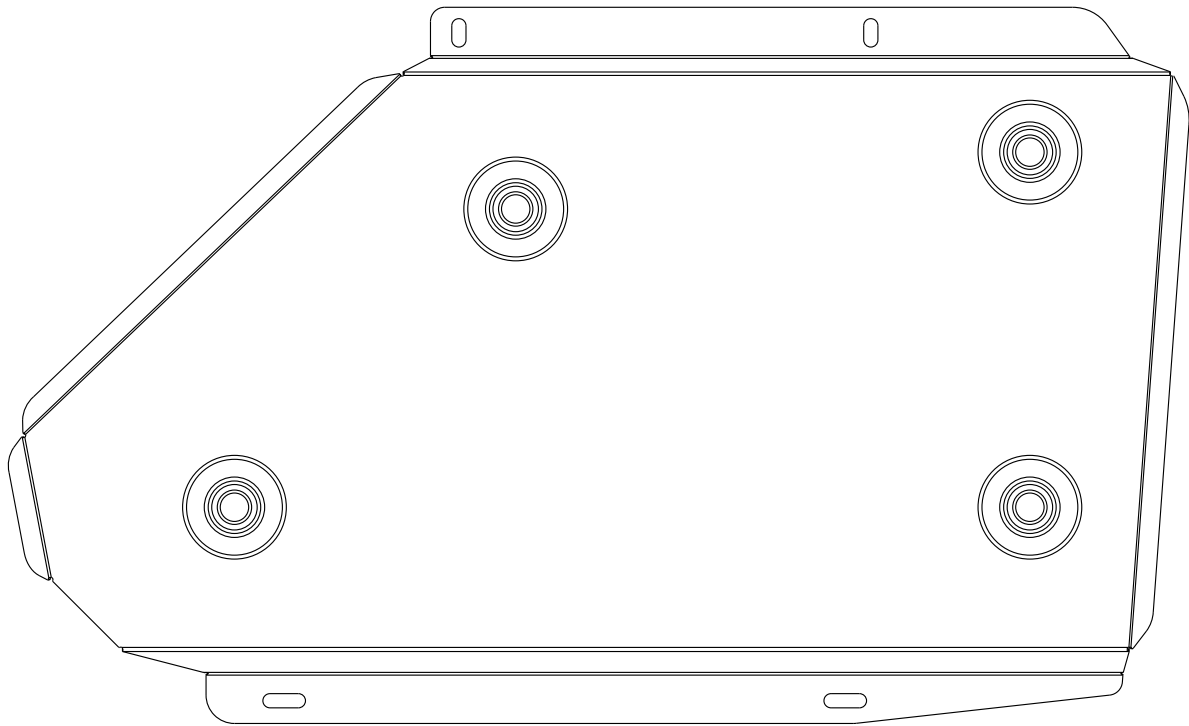


(RU)
(GB) Movement Arrow

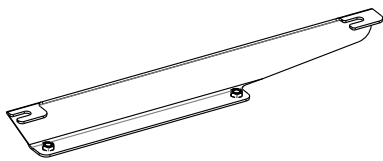


(RU)
(GB) Screw Arrow

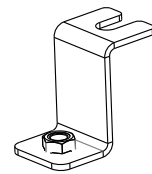


A

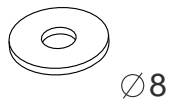
1X

B

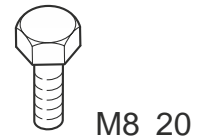
1X



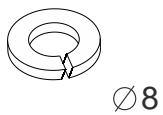
2X

D

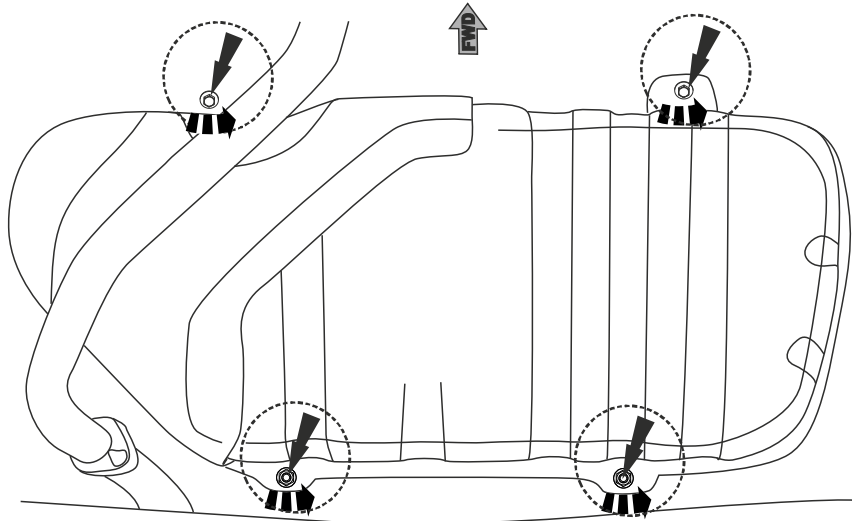
4X

E

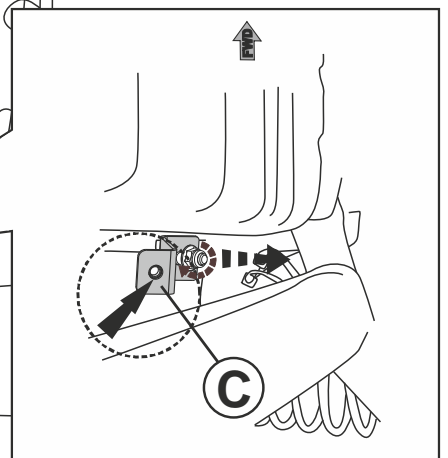
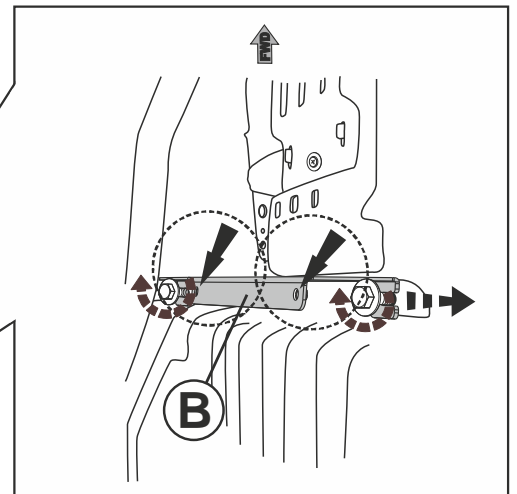
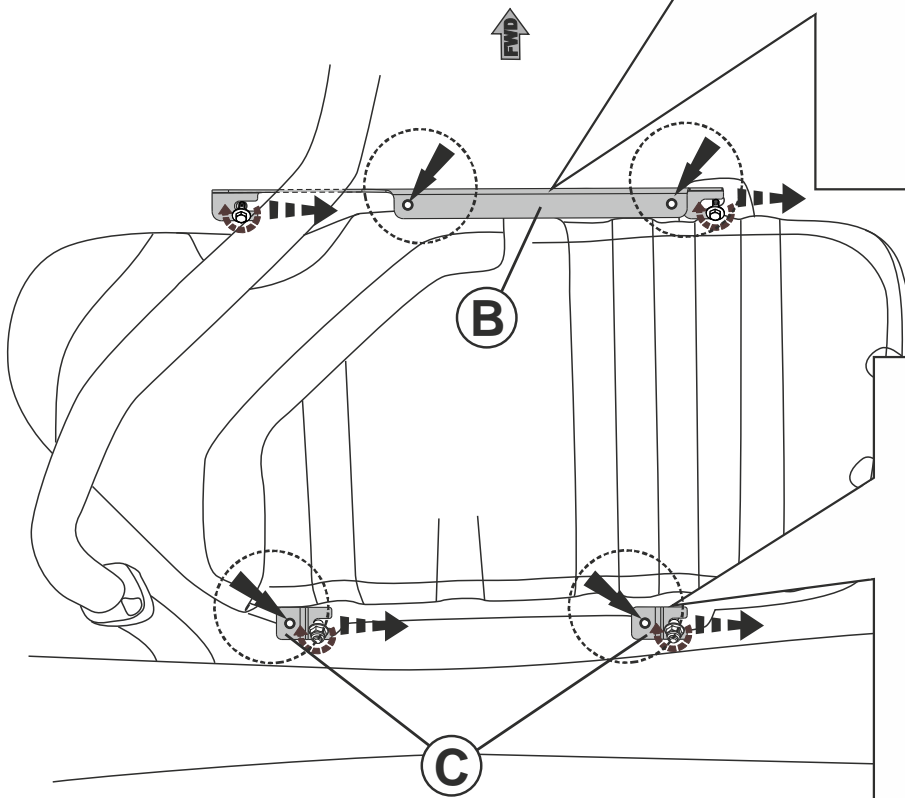
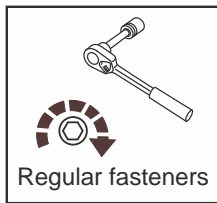
4X

F

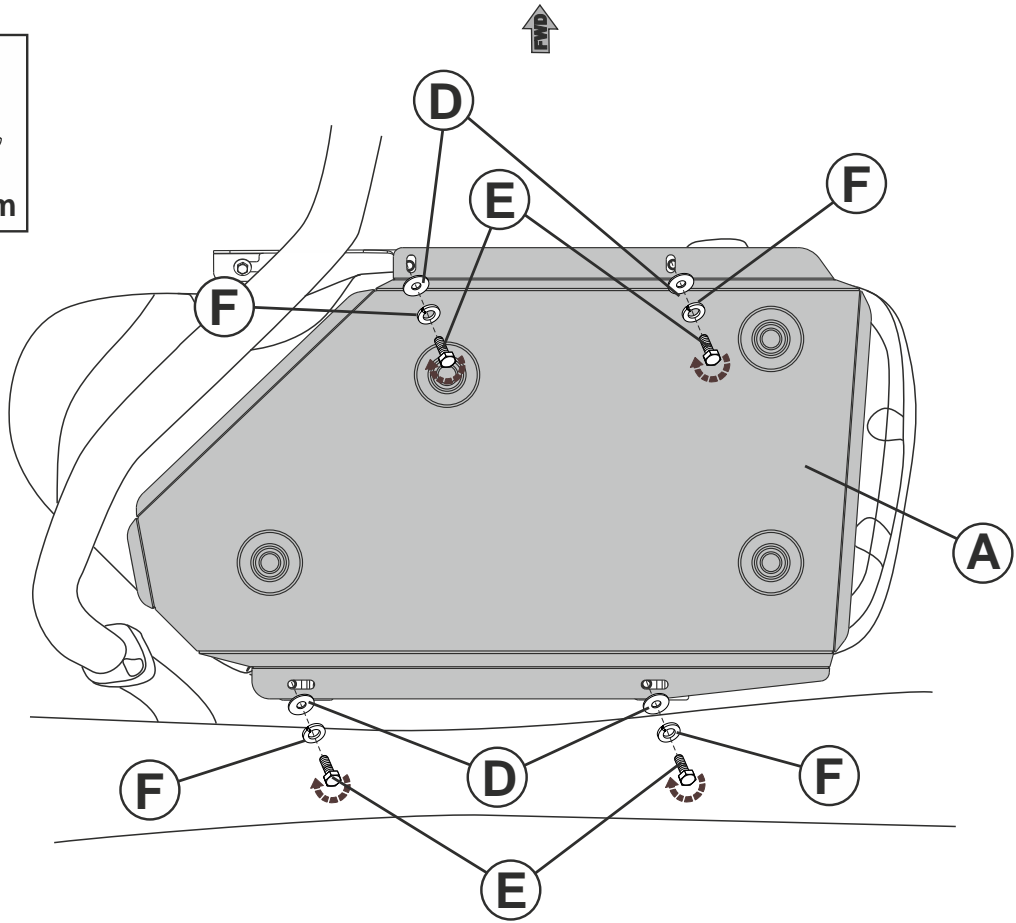
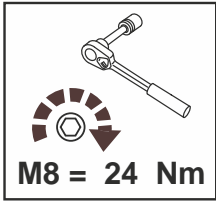
4X



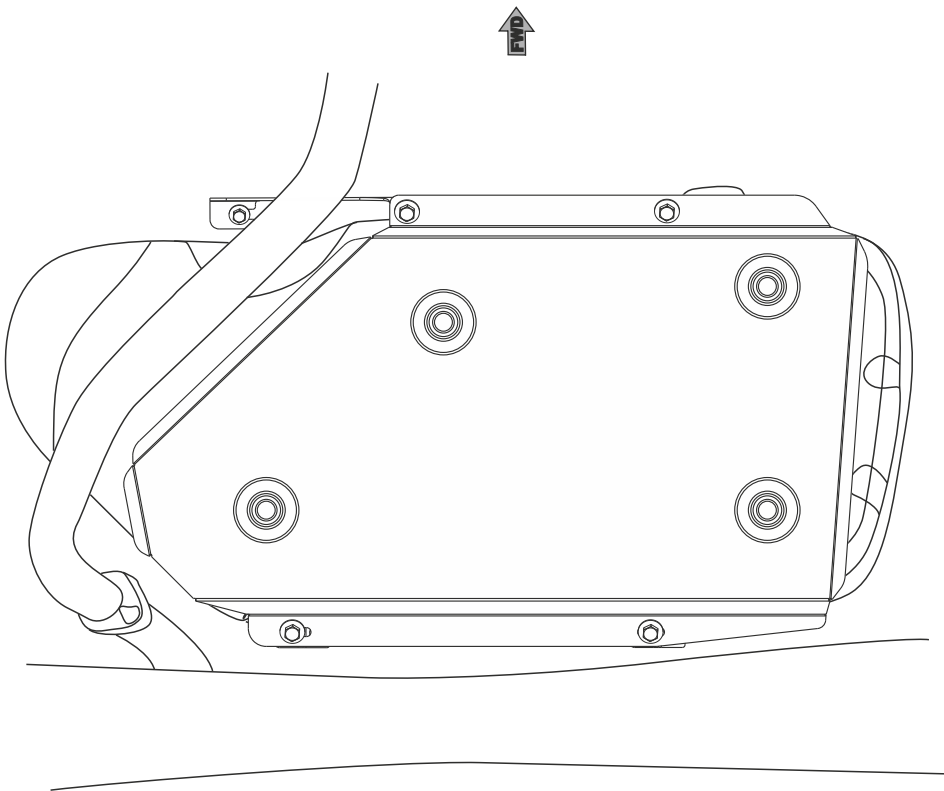
1



2



3



4

