


RU

GB

INSTALLATION MANUAL
SKID PLATE FOR ENGINE BAY



KIA M have 3,0D AT FULLWD

2020- 

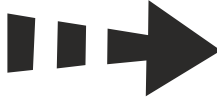
11.4749/11.4750

30/11/20

1/6



RU /
GB Location/Position Arrow

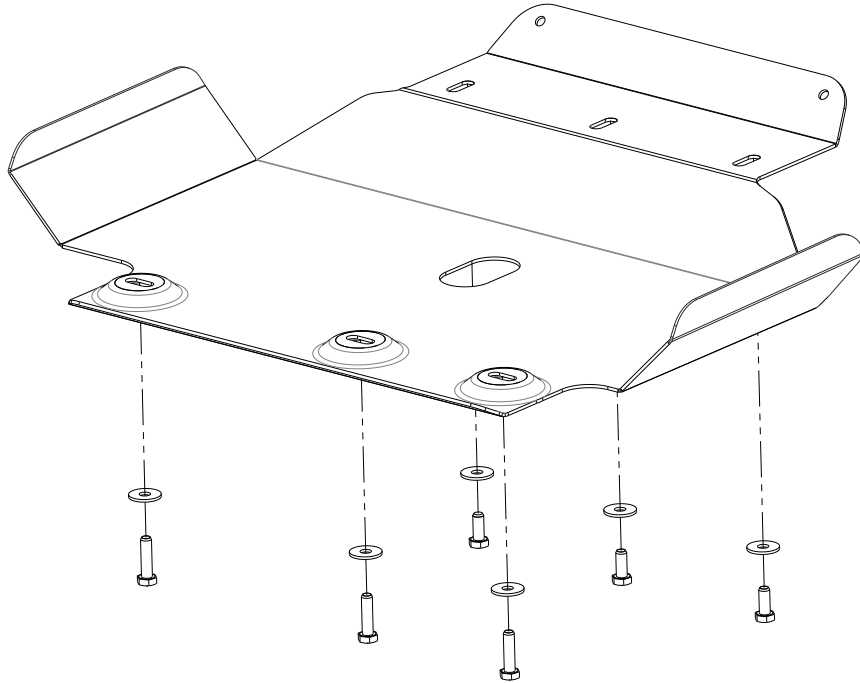


RU
GB Movement Arrow



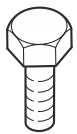
RU
GB Screw Arrow

A



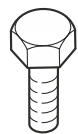
1X

B



M8 20

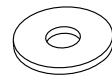
3X



M8 30

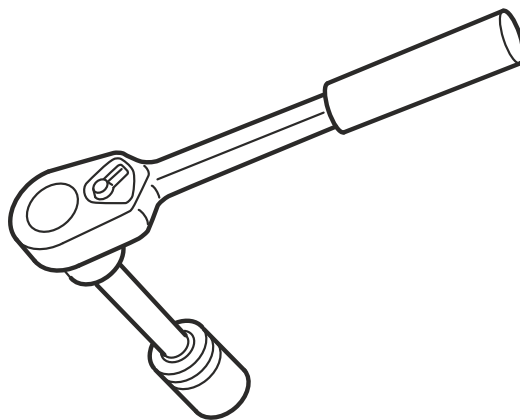
3X

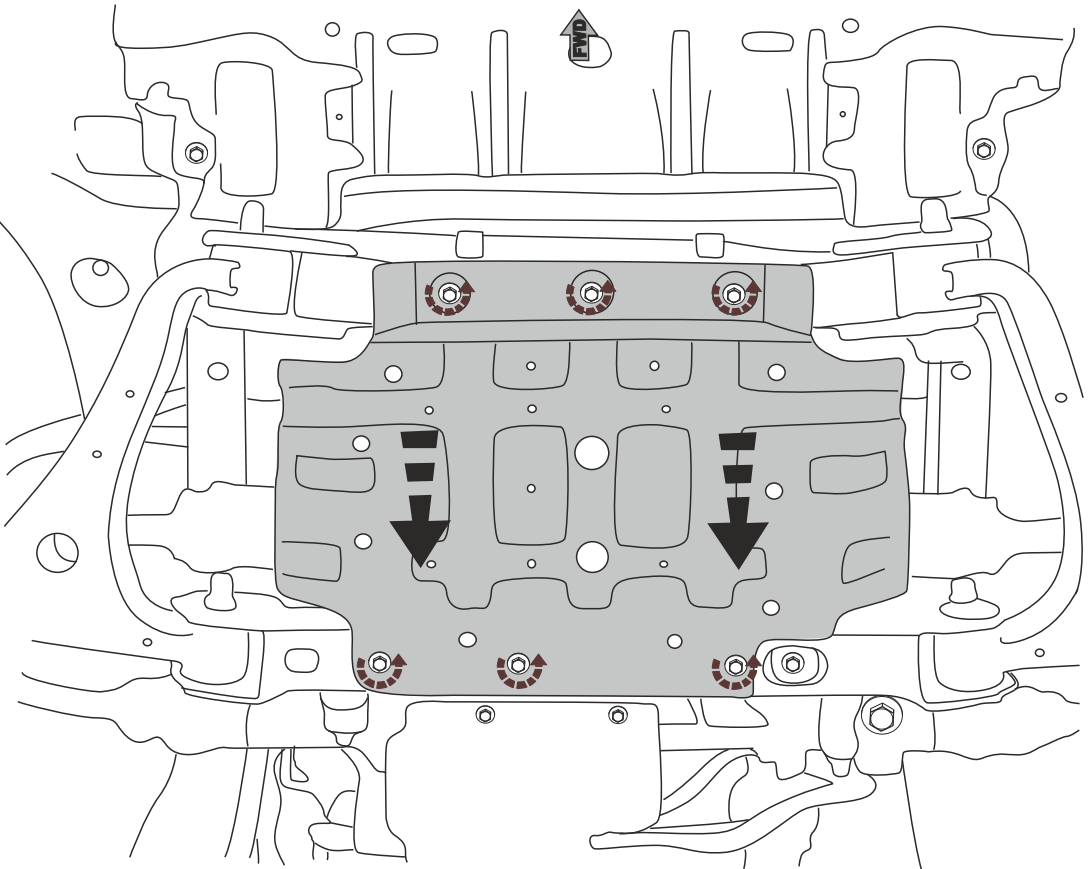
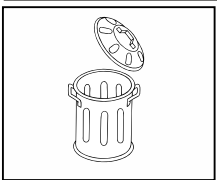
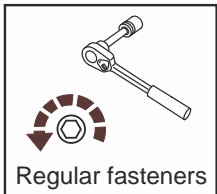
D



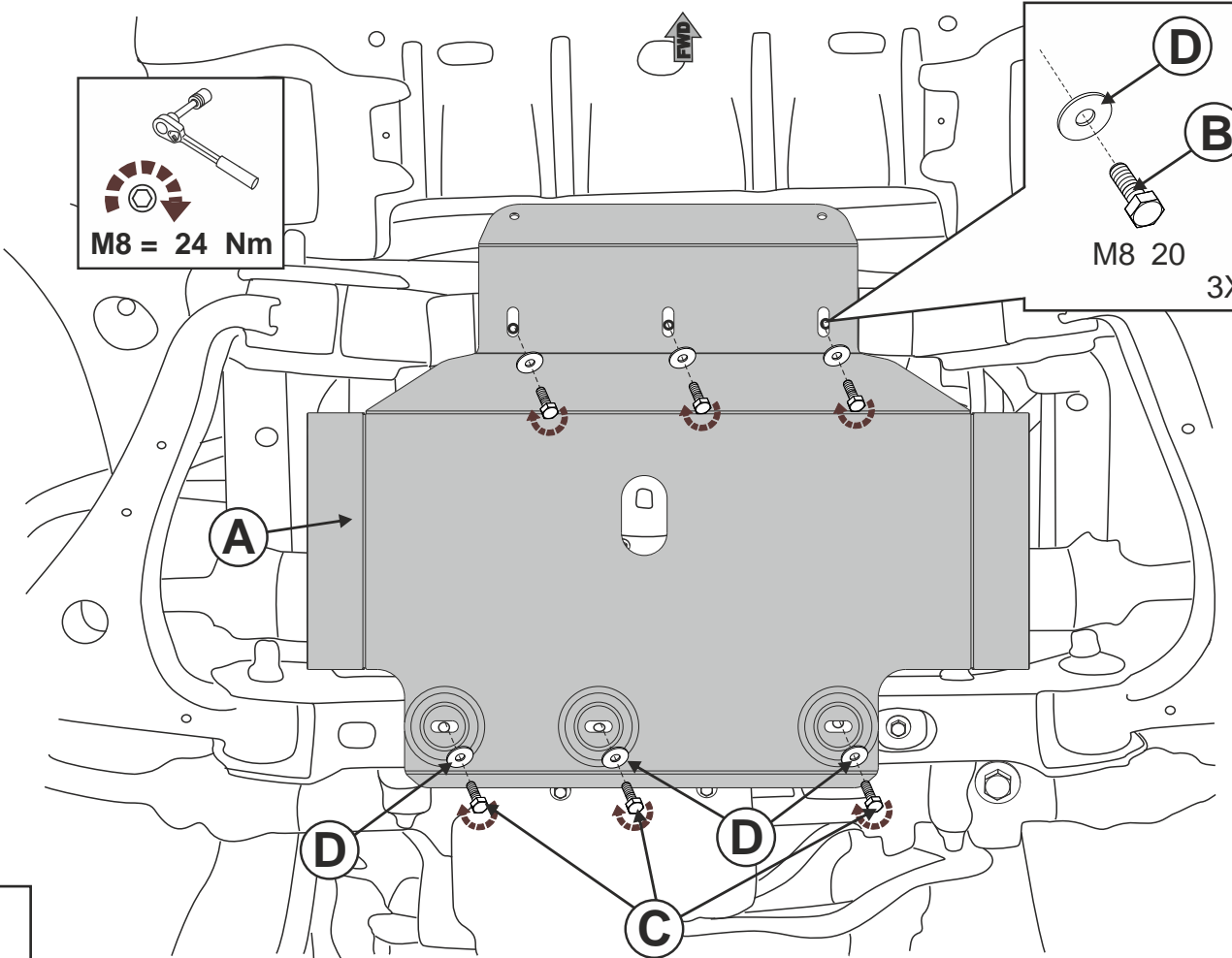
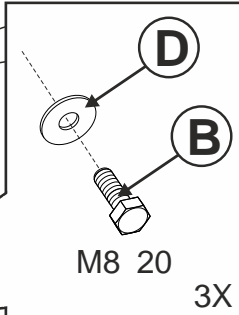
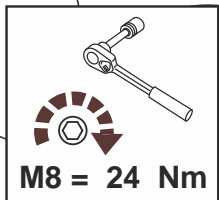
Ø8

6X





1



2

