

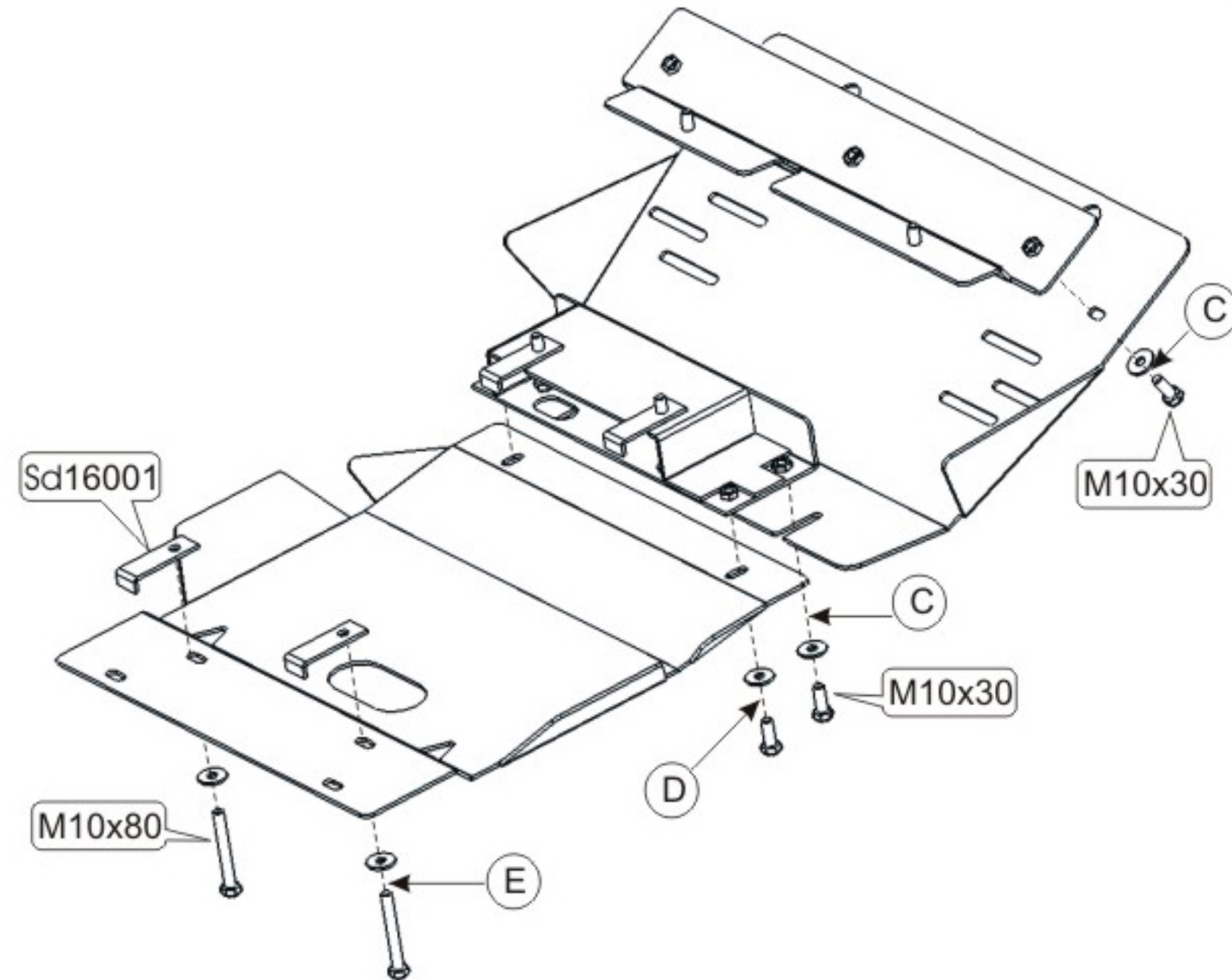
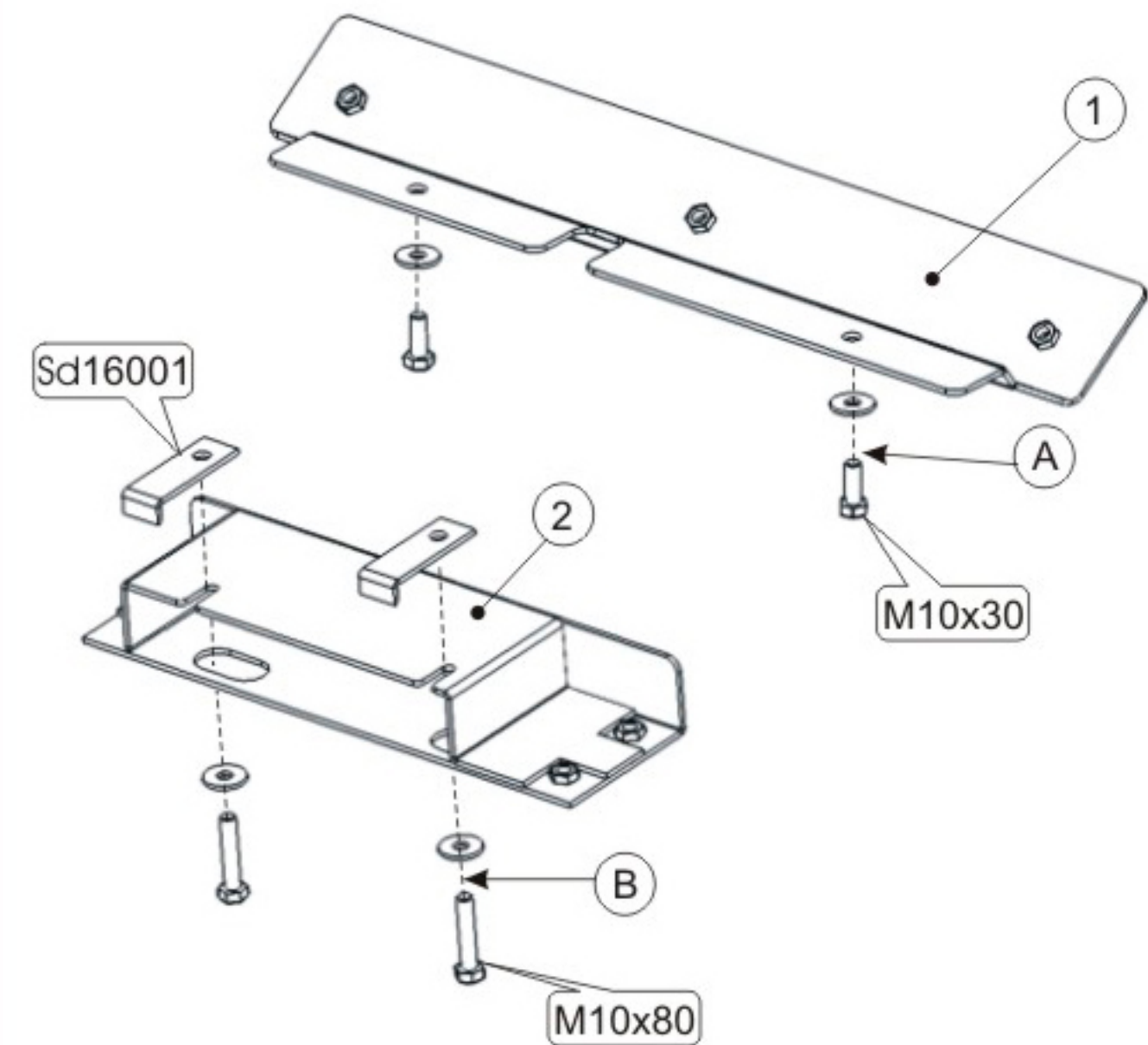
Toyota Land Cruiser Prado 120

assemblage.: 2005 -;

V: *****

VIN:-

Steel - TYPE :24.753
Aluminium - TYPE :24.751



1. Disassemble the protective shield into its component parts
2. Remove the standard dust guard from the car.
3. Fix the component part 1 to the machine screwing it with M10x30 bolts to the standard holes on the radiator's beam (A).
4. Fix the component part 2 screwing it to the front axle's beam with M10x80 bolts to the embedded slat SD 16001 (B).
5. Fix the front part of the protective shield to the already fixed component parts with M10x30 bolts (C).
6. Fix the rear part of the protective shield to the already fixed car frame with the M10x30 bolts (D), and from the back to the crossbar with M10x30 bolts with the embedded slat SD 16001 (E).
7. Tighten all screw joints.