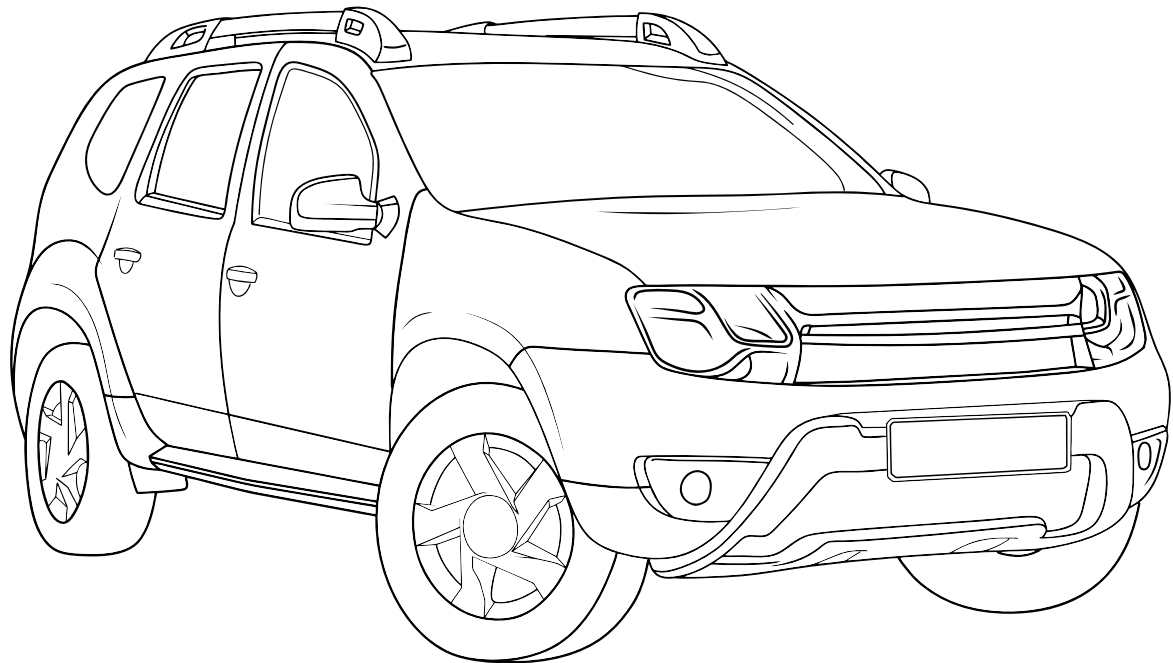


SC 71 105 011



7-
(9200-76)



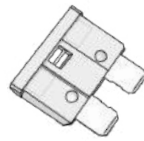
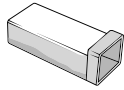
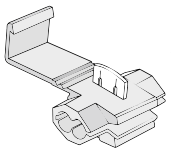
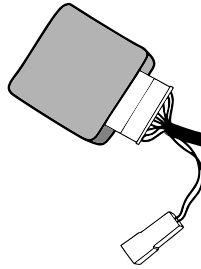
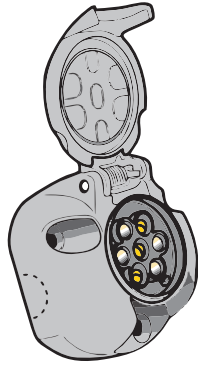
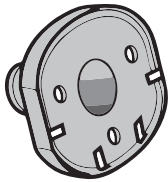
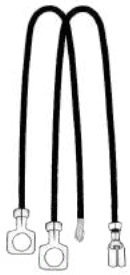
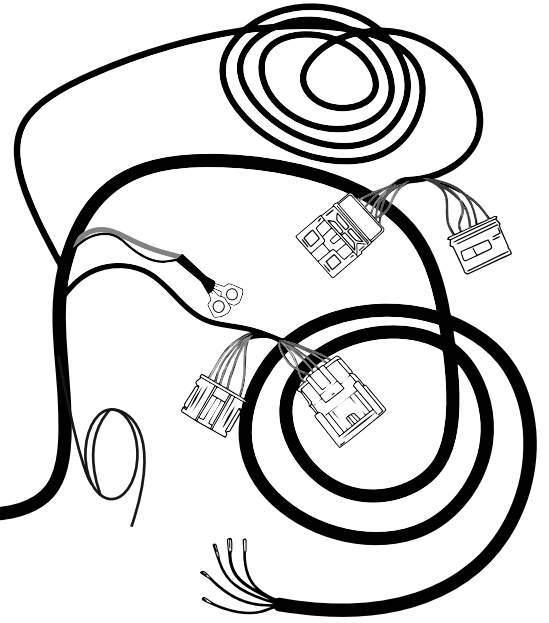
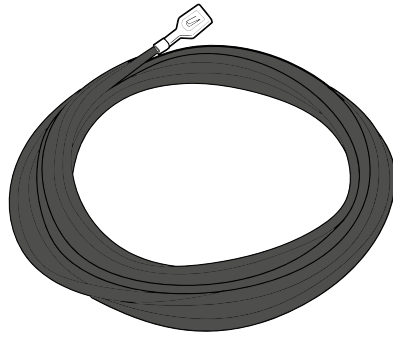
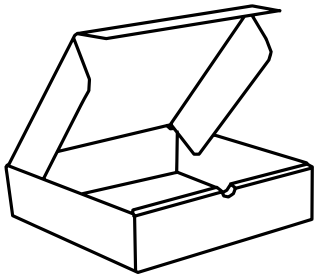
Renault Duster 2015-2021

- 1.
- 2.

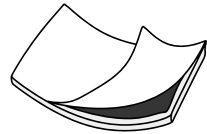
3.

4.

!



3x

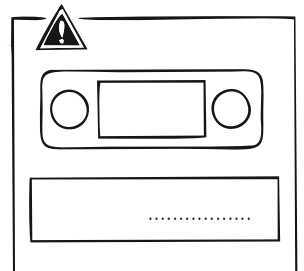
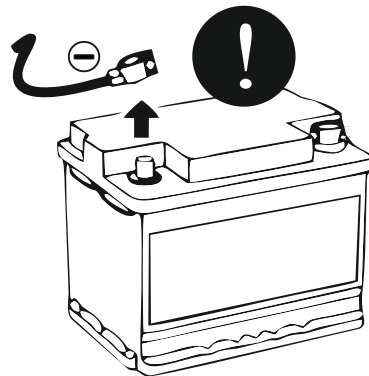


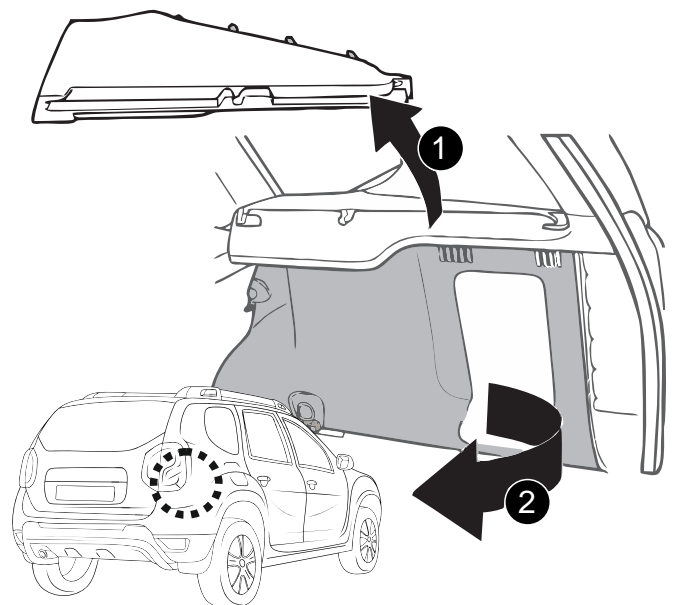
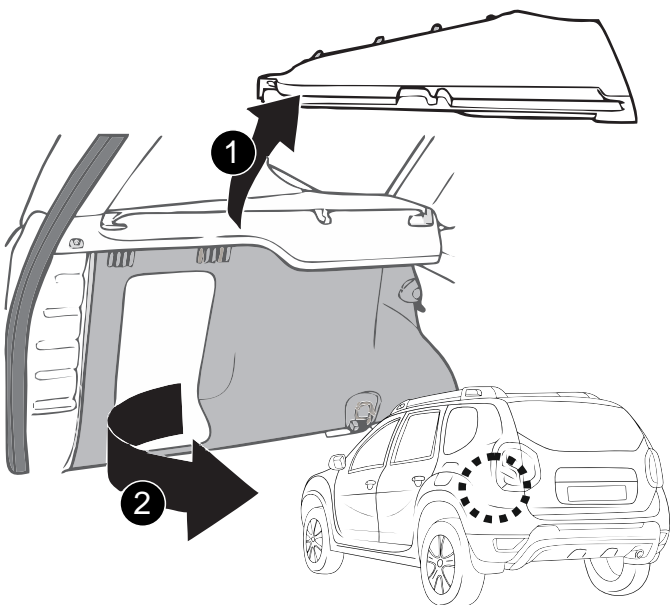
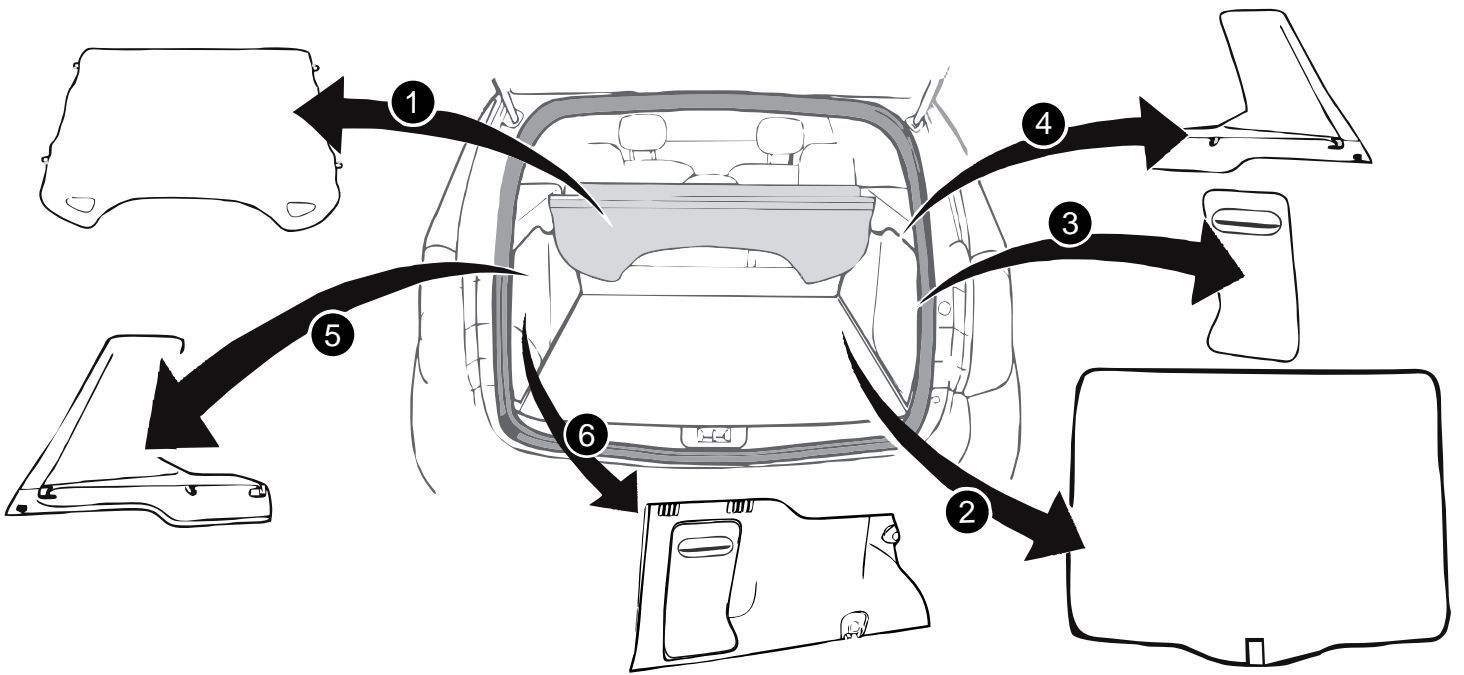
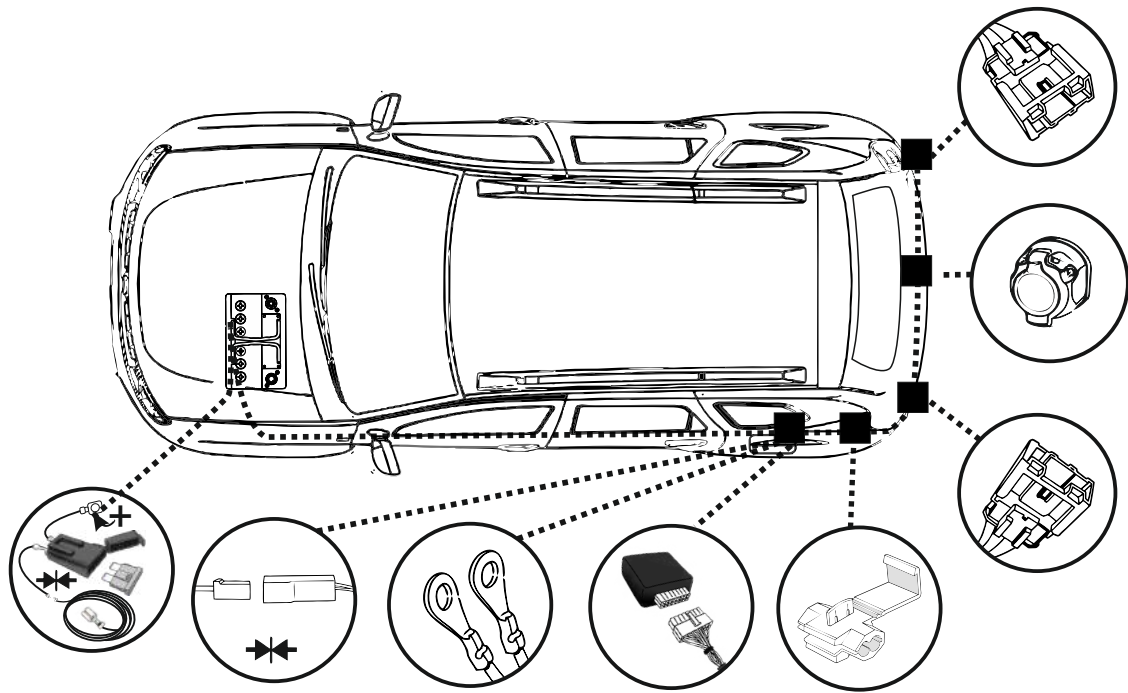
!

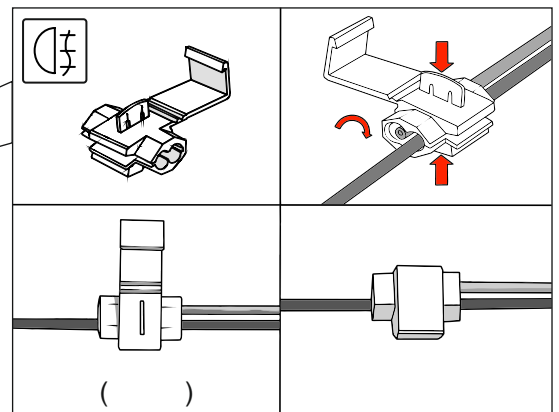
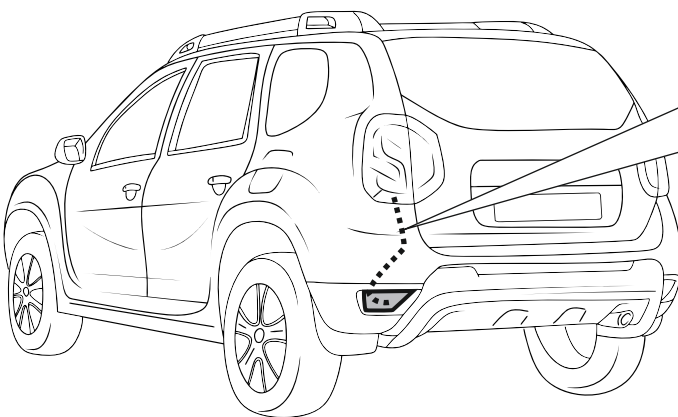
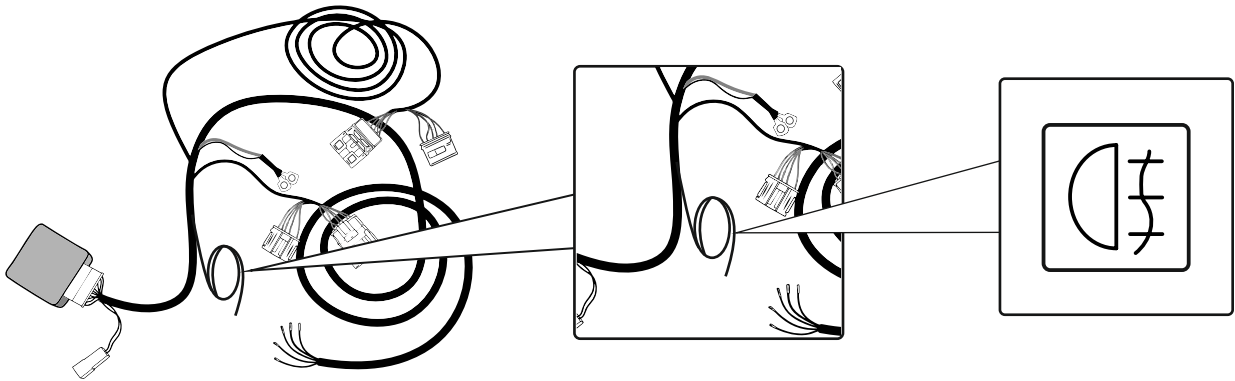
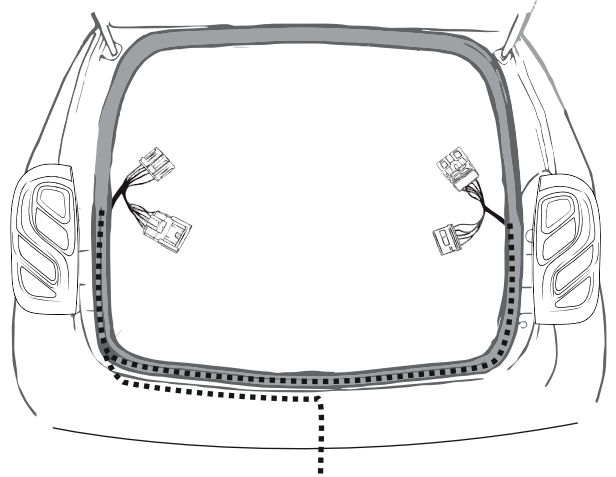
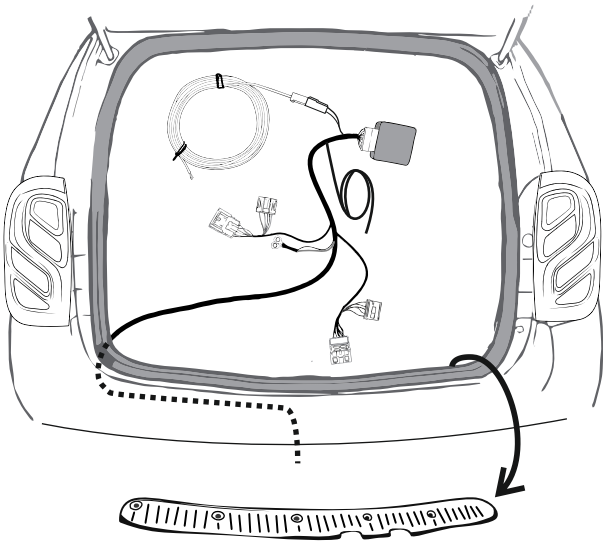
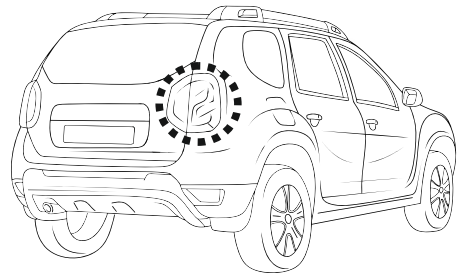
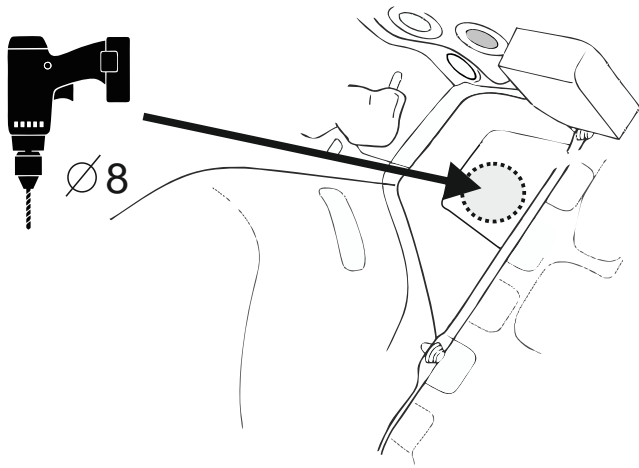
!

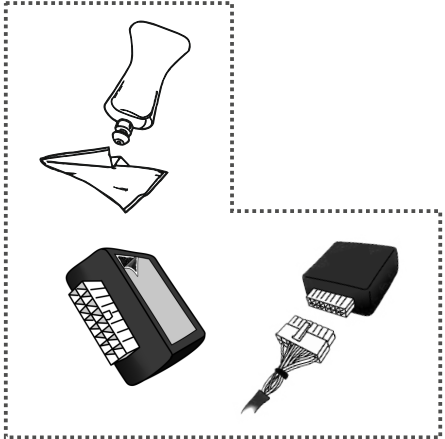
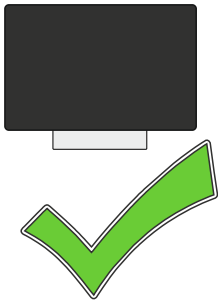
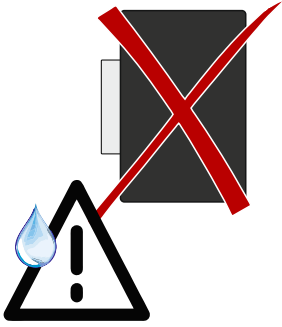
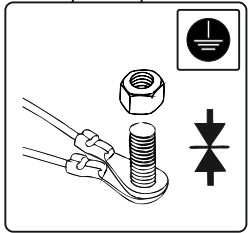
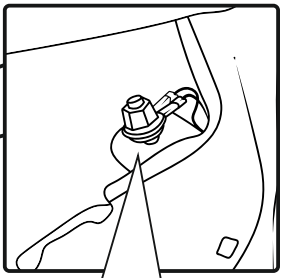
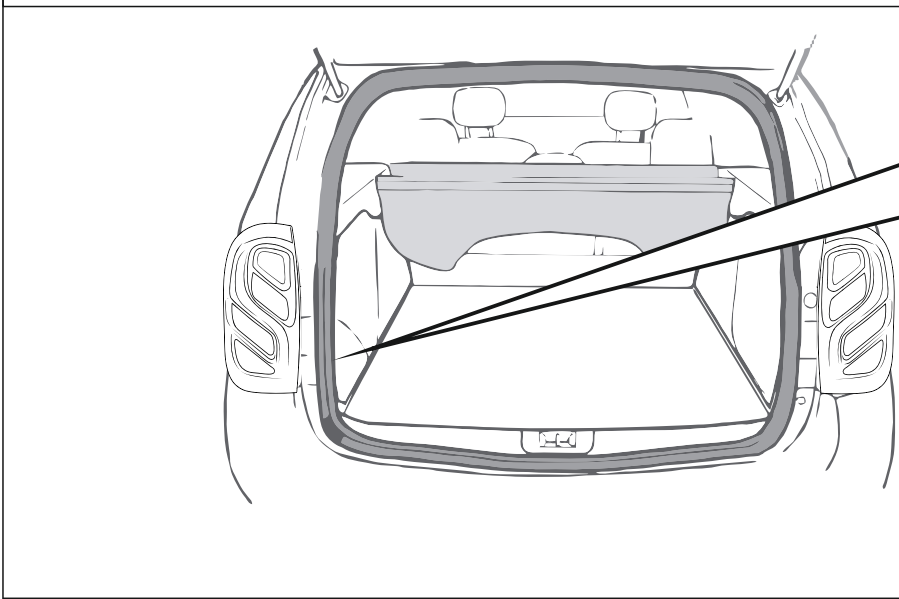
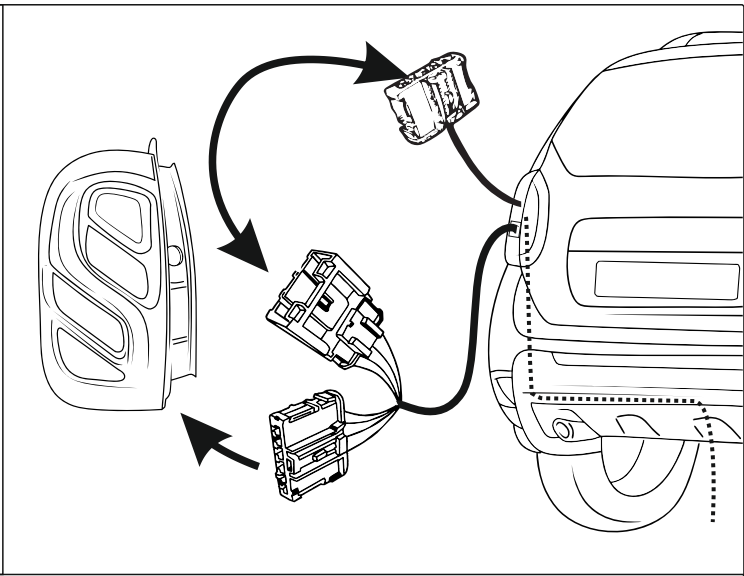
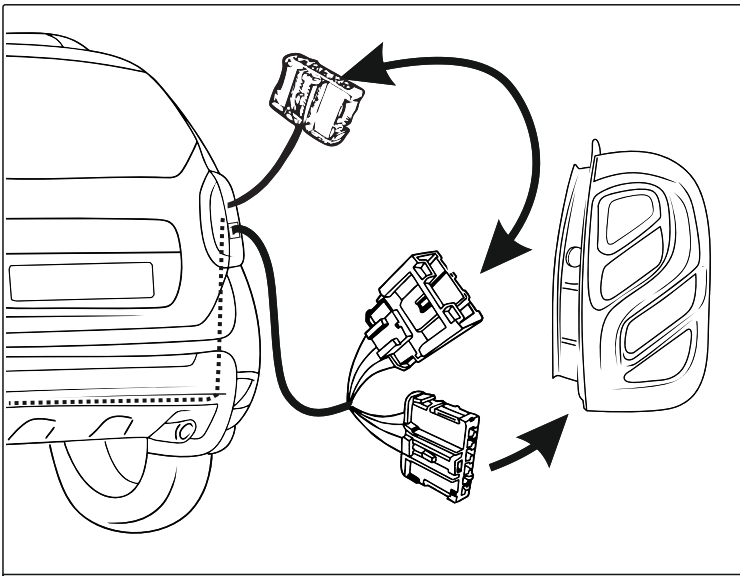
(! CODE ())

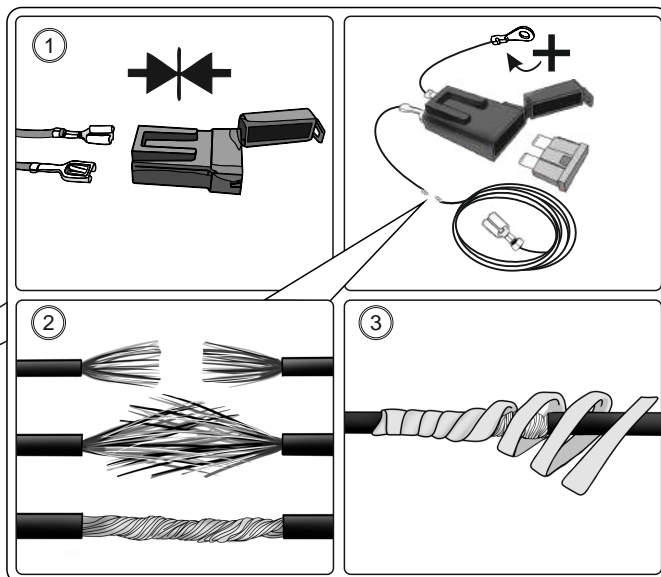
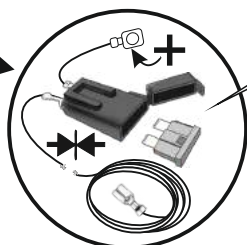
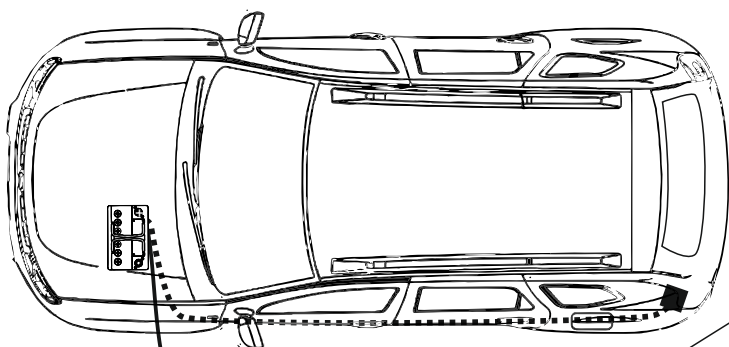
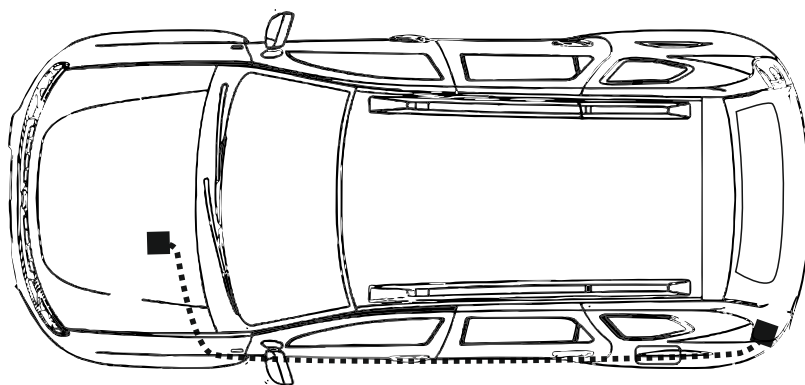
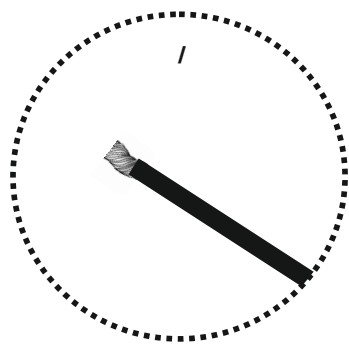
, CODE () !





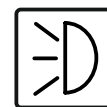
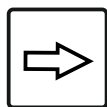
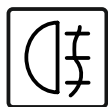






*

9200-76



1/L

2

3/31

4/R

5/58-R

6/54

7/58-L

21W

2x21W

21W

21W

2x21W

21W

-

